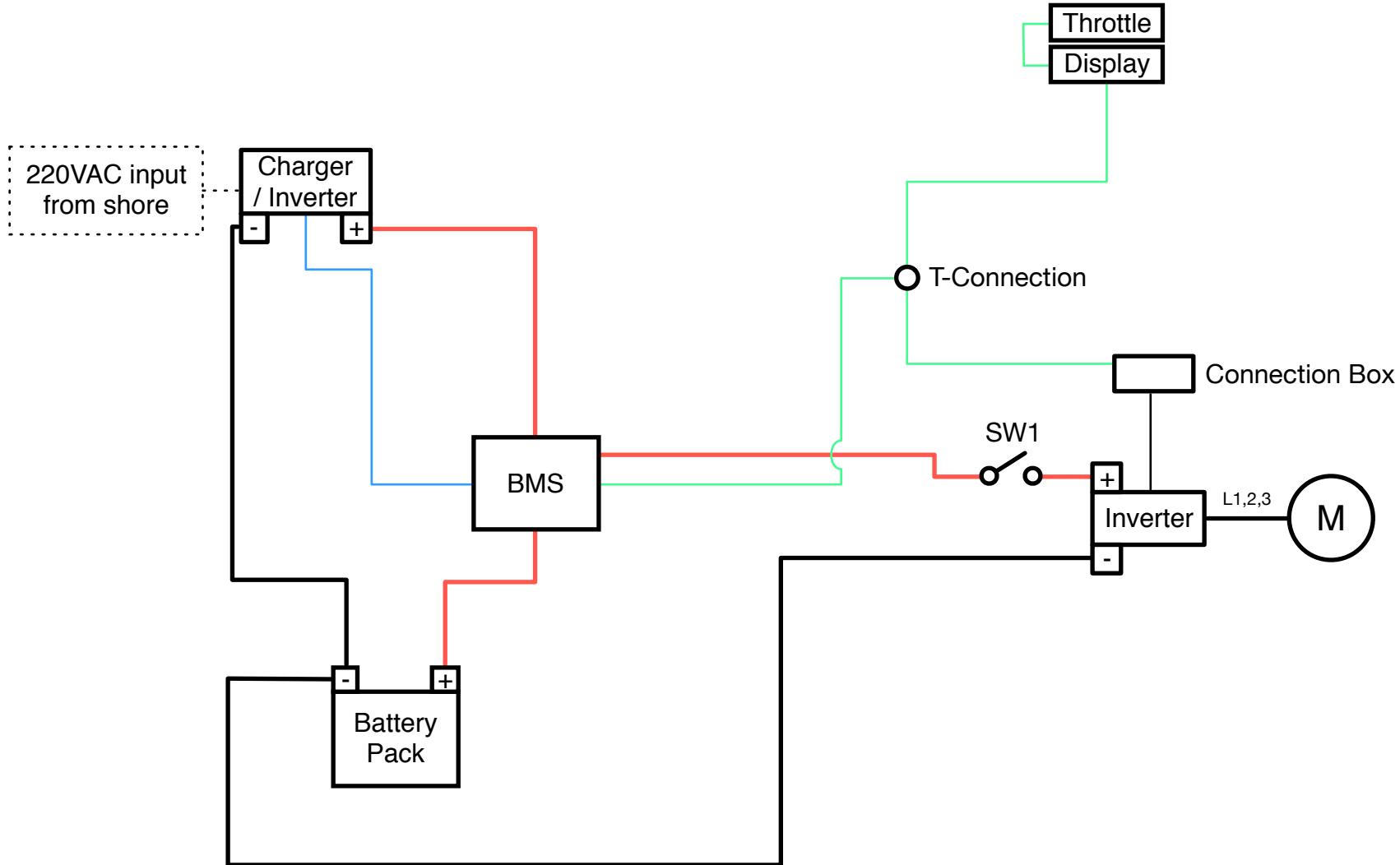


OCEANVOLT



Wiring Diagram (SD8.6 with a Charger)
For Valence Battery Pack with U-BMS
Drawn: MM 5.4.-14, Inspected: JK 5.4.-14
Copyright © Oceanvolt